

# FLEXEDGE® 8 Digital Input/ 8 Relay Output Module



## FLEXEDGE® Intelligent Edge Automation Platform

The 8DI/8RO module is designed for use with the FlexEdge DA70 controller, and features 8 Digital Inputs and 8 Relay Outputs that can be used to monitor contact or sensor inputs and actuate relays, solenoids, PLC inputs, etc.

The Digital Inputs accept DC inputs or contact closures and are software configured for sink or source signals. Each input also offers its own selectable input filter, as well as high or low-active input setting.

- Eight (8) DC voltage inputs, Eight (8) Form A relay outputs
- Adds I/O capability to the DA70
- Offers complete isolation; inputs, power and Controller
- At-a-Glance module status indicator
- On-device wiring diagram
- Inputs independently software selectable for sink or source signals, high or low active states, and high or low frequency signals
- Ideal for data acquisition applications
- Configured using Crimson® software (version 3.2 or later)



## Ordering Guide

### Main Unit

Part Number	Description
DAM0010DI0R00000	DA 8 Channel DI/ 8 Channel RO Module

# DA 8 Digital Input/ 8 Relay Output Module Specifications

## Specifications

### Power Requirements

Power is supplied by the DA host device.

**Max Power:** 2.0 W

### LEDs

One LED indicator for each I/O point and a status LED.

### Memory

Non-volatile memory retains all programmable parameters.

### Digital Input

Software selectable for sink or source

Maximum voltage: +30 VDC, reverse polarity protected

Off Voltage: < 1.2 Volts

On Voltage: > 3.8 Volts

Input Impedance: Source Mode 10K ohms; Sink Mode 20K ohms

Input Frequency\*:

Software Filter selection on: 50 Hz

Software Filter selection off: 300 Hz

\* Actual usable frequency limited by communication to external device.

### Form A Relay Output

4 relays per module

Type: Normally Open

Contact Ratings:

Per Relay: 0.5 Amps @ 30 VDC/30 VAC at 65 °C T<sub>AMB</sub>

2 Amps @ 30 VDC/30 VAC at 60 °C T<sub>AMB</sub>

Life Expectancy: 100,000 cycles at max. load rating. (Decreasing load, increasing cycle time, and use of surge suppression such as RC snubbers increases life expectancy.)

### Isolation Level

500 Vrms @ 50/60 Hz for 1 minute between the following:

Inputs

Outputs

Host Controller

### Communications

Provided by the DA70 Controller

### Environmental Conditions

Operating Temperature Range: -40 to 75 °C T<sub>AMB</sub>

Storage Temperature Range: -40 to 80 °C T<sub>AMB</sub>

Vibration to IEC 60068-2-6: Operational 5-500 Hz, 2 g

Shock to IEC 60068-2-27: Operational 15 g

Operating and Storage Humidity: 0 to 95% max. RH non-condensing

Altitude: Up to 2000 meters

Installation Category II, Pollution Degree 2 as defined in IEC/EN 60664-1.

### Certification & Compliance

#### CE Approved

EN 61326-1 Immunity to Industrial Locations

Emission CISPR 11 Class A

IEC/EN 61010-1

RoHS Compliant

**UL Hazardous:** File #E317425

Rugged IP30 enclosure

**ABS Type Approval for Shipboard Applications**

### Connections

Wire Strip Length: 0.3" (7.5 mm)

Wire Gauge Capacity: 14 to 24 AWG (2.08 to 0.20 mm<sup>2</sup>) copper wire only

### Construction

Polycarbonate enclosure with IP30 rating. For use only in an approved enclosure.

Weight: 14.0 oz (397 g)

### Mounting

DIN Rail: Attaches to standard "T" profile DIN rail according to EN50022 - 35 x 7.5 and 35 x 15

### Warranty

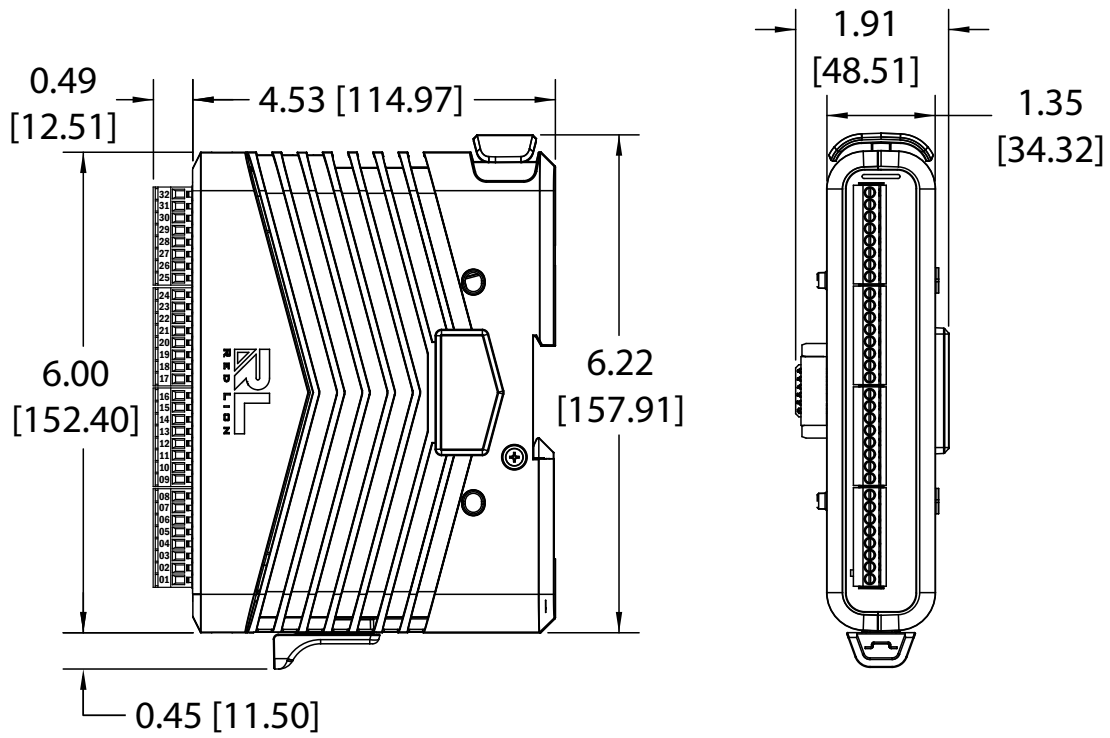
3 years on design and manufacturing defects.

Specifications are subject to change.

Visit [www.redlion.net](http://www.redlion.net) for more information.

# DA 8 Digital Input/ 8 Relay Output Module Dimensions

Dimensions In inches [mm]





[www.redlion.net](http://www.redlion.net)  
[contact us](#)

© 2024 Red Lion Controls, Inc. All Rights Reserved. The terms Red Lion, the Red Lion logo, Crimson and FlexEdge are registered trademarks of Red Lion Controls. All other marks are the property of their respective owners.

LD1111C 08 2024