

FLEXEDGE® 8 Channel DI/ 8 Channel DO Module



FLEXEDGE® Intelligent Edge Automation Platform

The 8DI/8DO module is designed for use with the FlexEdge DA70 controller, and features 8 Digital Inputs and 8 SSR Outputs. The module is an ideal choice for monitoring contact or sensor inputs and actuate relays, solenoids, PLC inputs, etc.

The Digital Inputs accept DC inputs or contact closures and are software configured for sink or source signals. Each input also offers its own selectable input filter, as well as high or low-active input setting. The Digital Outputs are capable of switching up to one amp each.

- Adds I/O capability to the DA70 products
- Eight digital inputs, and 8 SSR outputs
- Offers complete isolation; inputs, outputs, power, and communication
- Inputs feature individual software selectable sink/source configuration
- Inputs independently configurable for high or low active state
- Outputs are sinking with max of 1 A per channel
- Configured using Crimson® software (version 3.2 or later)



Ordering Guide

Main Unit

Part Number	Description
DAM0010DI0000000	DA 8 Channel DI/ 8 Channel DO Module

DA 8 Channel DI/ 8 Channel DO Module Specifications

Specifications

Power Requirements

Power is supplied by the DA host controller.

Max Power: 2.0 W

LEDs

One LED indicator for each I/O point and a status LED.

Memory

Non-volatile memory retains all programmable parameters. The Controller also stores the parameters in order to reprogram any modules that need updates.

Digital Input

8 channels, individual screw terminals for channel-to-channel isolation and independent Sink/Source configuration

Maximum input voltage: 30 VDC, reverse polarity protected

Guaranteed ON voltage: 2.5 V

Guaranteed OFF voltage: 1.5 V

TTL compatible

Current draw: 10.5 mA @ 30 VDC, 4.5 mA @ 2.5 VDC, nominal spec: 8 mA

Software debounce filtering modes: 200 Hz, 500 Hz, None

Input isolation: 500 Vrms

Digital Output

8 solid state N-channel open drain MOSFETs

Load Type: General purpose, resistive and Pilot Duty

All outputs share the same common

Rating: 1 ADC max

V_{DS} ON: < 0.2 V @ 1 A

V_{DS} MAX: 30 VDC

Offstate leakage current: 0.5 μ A max

Communications

Provided by the DA70 Controller

Environmental Conditions

Operating Temperature Range: -40 to 75 °C T_{AMB}

Storage Temperature Range: -40 to 80 °C T_{AMB}

Operating and Storage Humidity: 0 to 95% max. RH non-condensing

Vibration to IEC 60068-2-6: Operational 5-500 Hz, 2 g

Shock to IEC 60068-2-27: Operational 15 g

Altitude: Up to 2000 meters

Installation Category II, Pollution Degree 2 as defined in IEC/EN 60664-1.

Certification & Compliance

CE Approved

EN 61326-1 Immunity to Industrial Locations

Emission CISPR 11 Class A

IEC/EN 61010-1

RoHS Compliant

ATEX Approved

⊕ II 3 G Ex ec IIC T4 Gc

DEMKO 20 ATEX 2268X

IECEX Approved

IECEX UL 20.0007X

UKEX Approved

UL22UKEX2576X

UL Hazardous: File #E317425

Rugged IP30 enclosure

ABS Type Approval for Shipboard Applications

Connections

Wire Strip Length: 0.3" (7.5 mm)

Wire Gauge Capacity: 14 to 24 AWG (2.08 to 0.20 mm²) copper wire only

Construction

Plastic enclosure with IP30 rating.

Weight: 10.2 oz (317.25 g)

Mounting

DIN Rail: Attaches to standard "T" profile DIN rail according to EN50022 - 35 x 7.5 and 35 x 15

Warranty

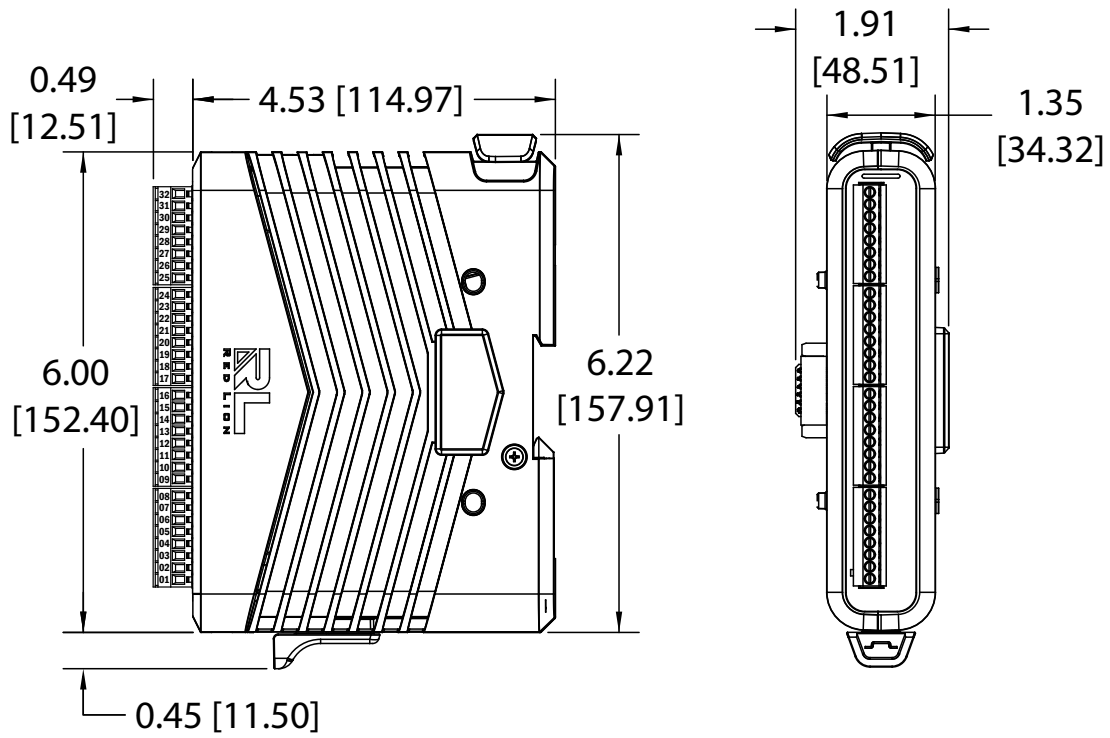
3 years on design and manufacturing defects.

Specifications are subject to change.

Visit www.redlion.net for more information.

DA 8 Channel DI/ 8 Channel DO Module Dimensions

Dimensions In inches [mm]





www.redlion.net
[contact us](#)

© 2024 Red Lion Controls, Inc. All Rights Reserved. The terms Red Lion, the Red Lion logo, Crimson and FlexEdge are registered trademarks of Red Lion Controls. All other marks are the property of their respective owners.

LD1110C 08 2024