

Sixnet

REMOTETRAK™

Select RM-16DO2 when you need the lowest cost per channel discrete outputs with load current requirements below 1 Amp per channel

PRODUCT HIGHLIGHTS

- High density outputs save space
- Lowest cost per channel discrete outputs
- Ideal for driving indicator lights and small relays
- Surge suppressors safely clamp inductive loads

PRODUCT HIGHLIGHTS

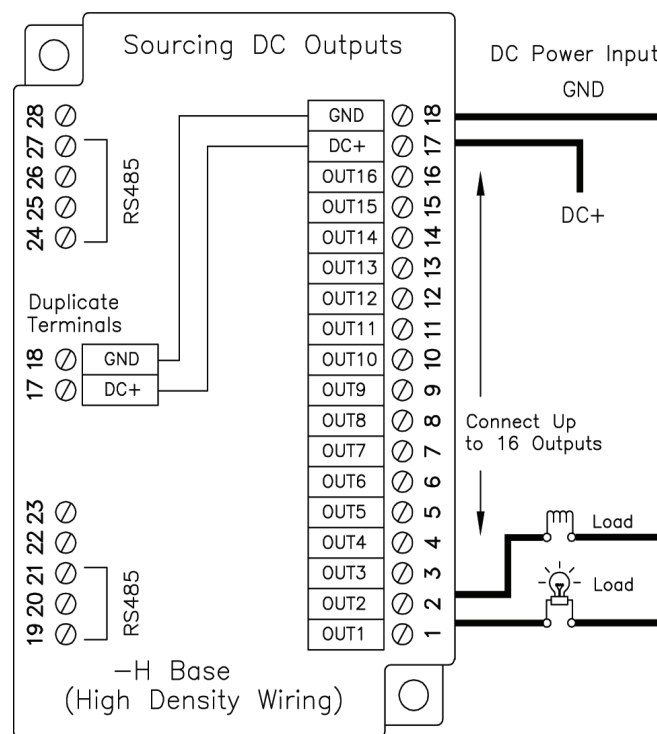
- Number of channels 16
- Output range 10-30 VDC
- Max. output current per channel 1 Amp
- Max. output current (entire module) 10 Amps
- Max. OFF state leakage current 0.05 mA
- Min. load current per channel 0.1 mA
- Inrush current (100 mS surge) 5 Amps
- Typical ON resistance 0.3 Ohms
- Typical ON voltage drop (@ 1 Amp) 0.3 VDC

ENVIRONMENTAL

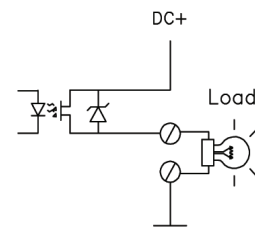
- RS485 isolation 1200 Volts RMS 1 minute
- Required supply voltage 10-30 VDC (0.5 watt typical)
- Operating temperature range -30 to 70° C
- Storage temperature range -40 to 85° C
- Humidity (non-condensing) 5 to 95%
- Flammability (module plastic) UL 94V-0 materials
- Electrical safety UL 508, CSA C22.2/14; EN61010-1 (IEC1010), CE
- EMI emissions FCC part 15, ICES-003, Class A; EN55022, CE
- EMC immunity EN50082-1 (IEC801-2, 3, 4) CE
- Vibration IEC68-2-6
- Hazardous locations UL 1604, CSA C22.2/213-M1987, (Class I, Div 2, Groups A, B, C, D), EN50021 (zone 2)
- Marine/offshore tested and/or verified to meet various marine and maritime standards



MECHANICAL DRAWING



Equivalent Circuit



ORDERING INFORMATION

RM-16DO2-H - Module with high density base
RM-16DO2-M - Replacement module only

All specifications are subject to change. Consult factory for latest info.

SIXNET Technology Park • 331 Ushers Road • Ballston Lake, NY 12019 USA
+1 518.877.5173 • Fax +1 518.877.8346 • sales@sixnet.com